

Coordination Check

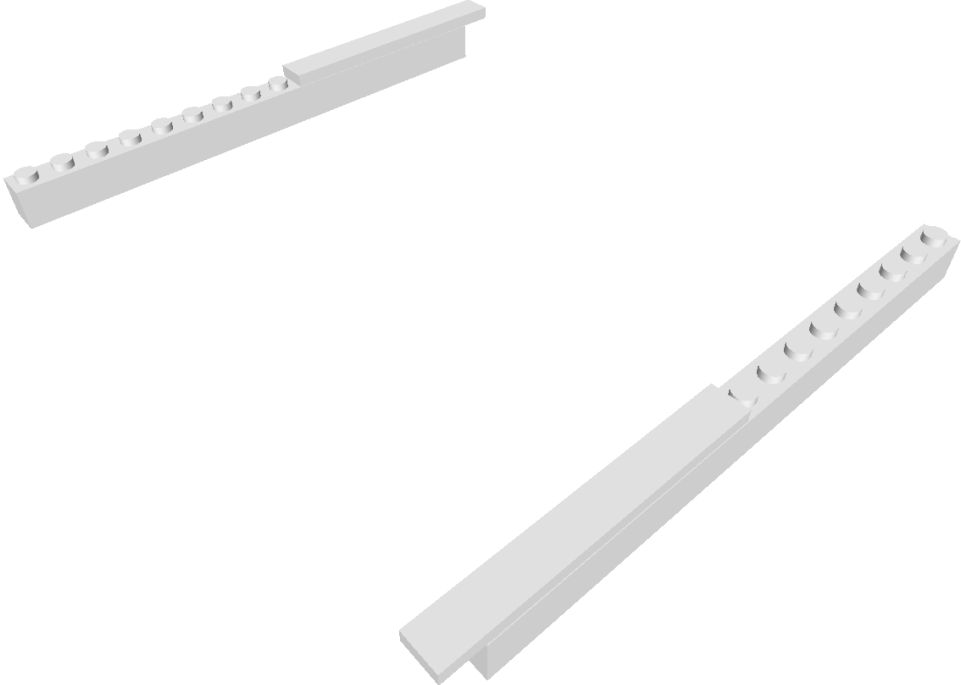
Model Name	LAB-BBD-00-ZZ-M3-A-1003_Federated Model SMC 9.7 Version: 9.8
Checker	BIM@bondbryan.co.uk
Organization	Bond Bryan
Time	2017-11-24 16:50:26
LAB-BBD-00-ZZ-M3-A-0005_IFC2x3 FM Handover (A)	Time: 2016-11-30 10:57:52 Application: ARCHICAD-64 IFC: IFC2X3

Coordination Check

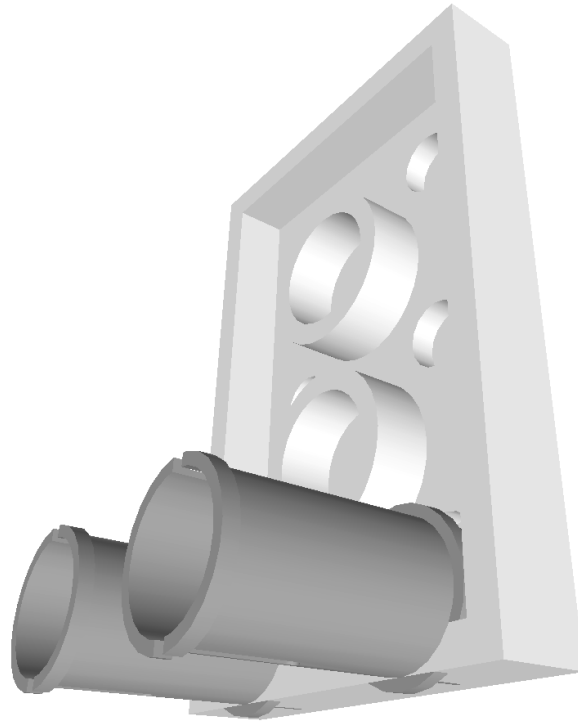
Coordination Check

Intersecting Components in Different Floors

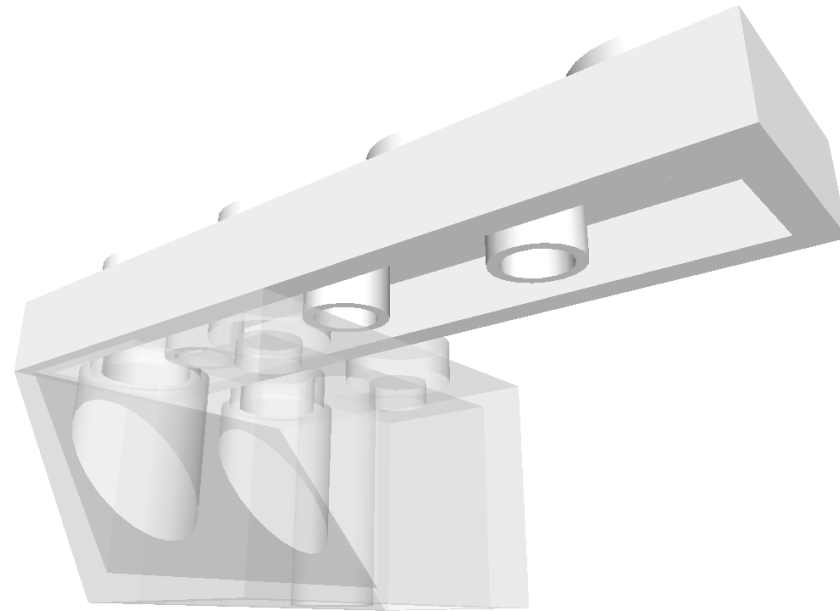
Tracking ID: 171



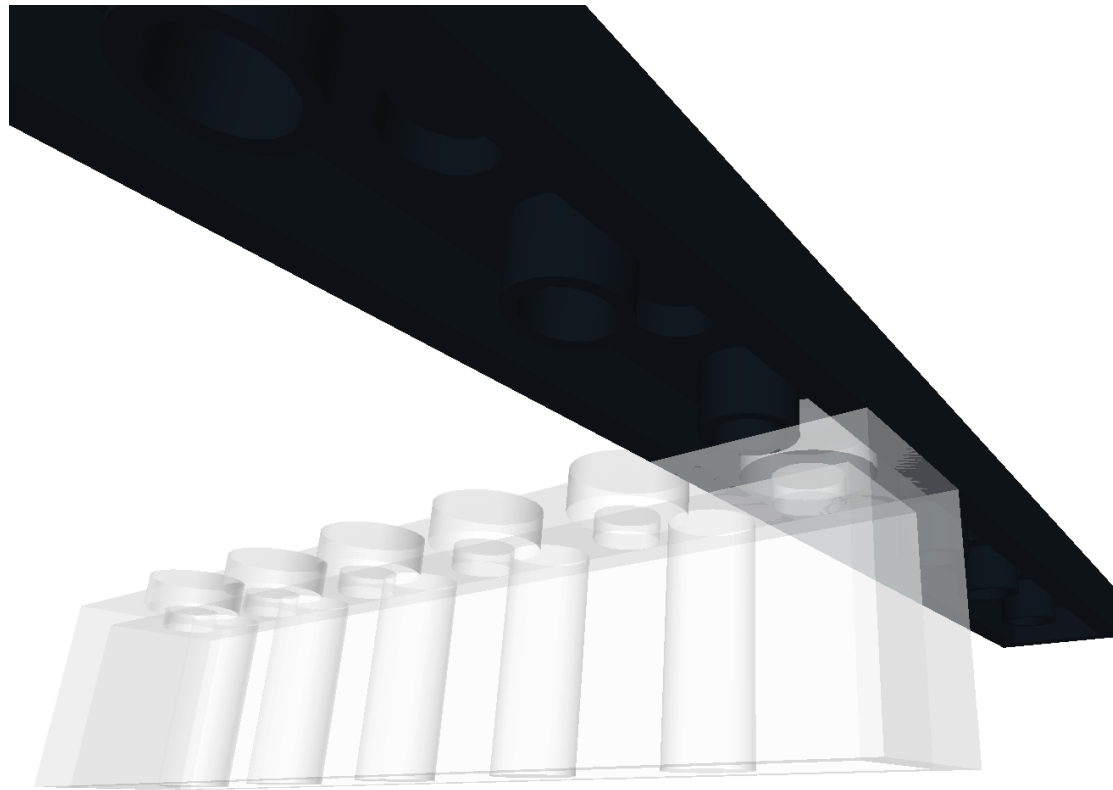
(A) 01 First Floor, (A) RF Roof



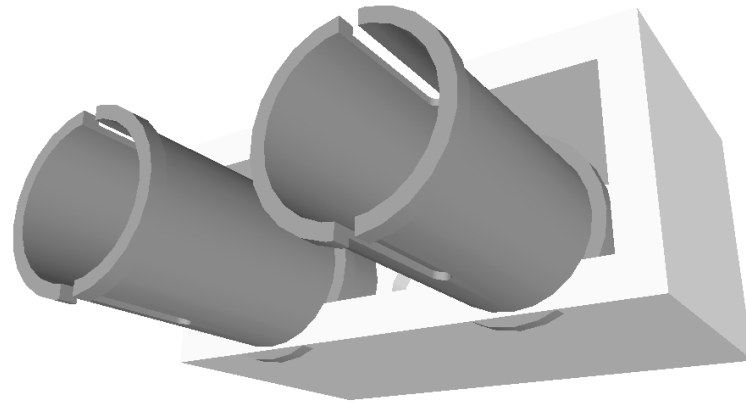
(A) RF Roof



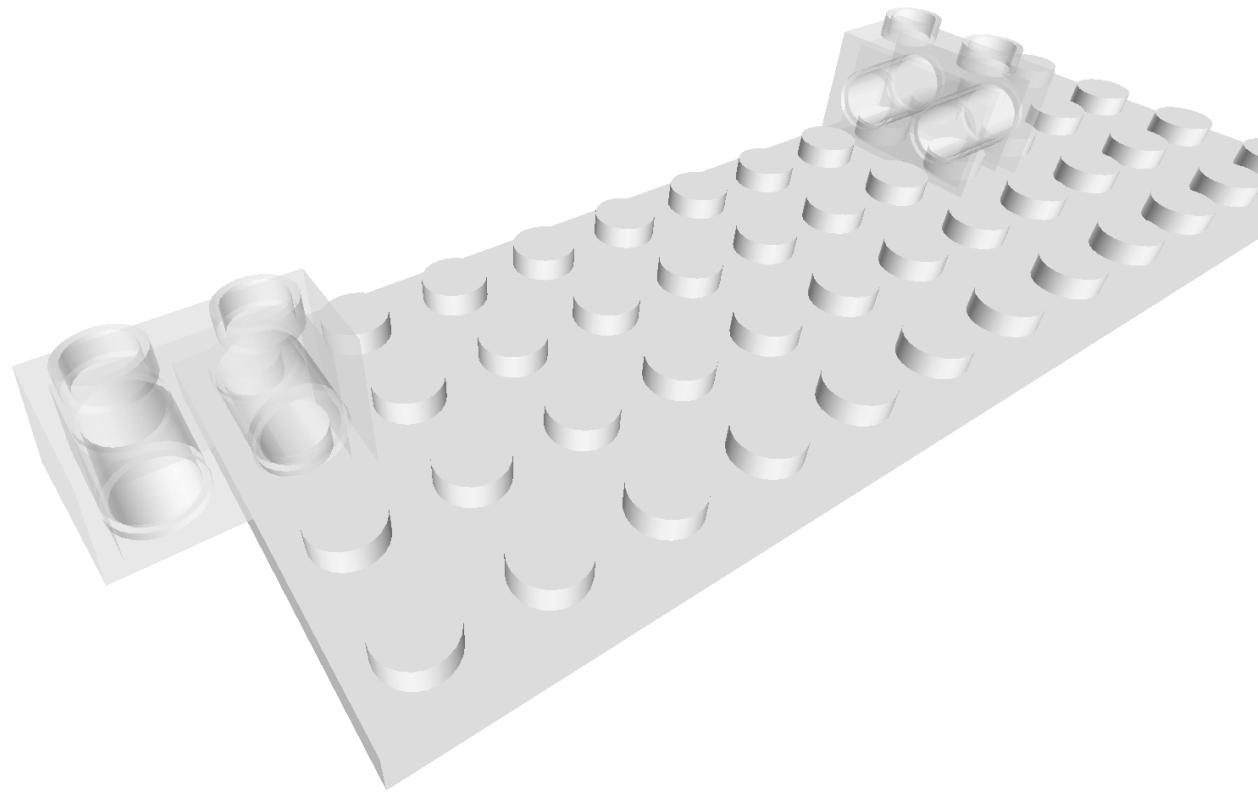
(A) 01 First Floor



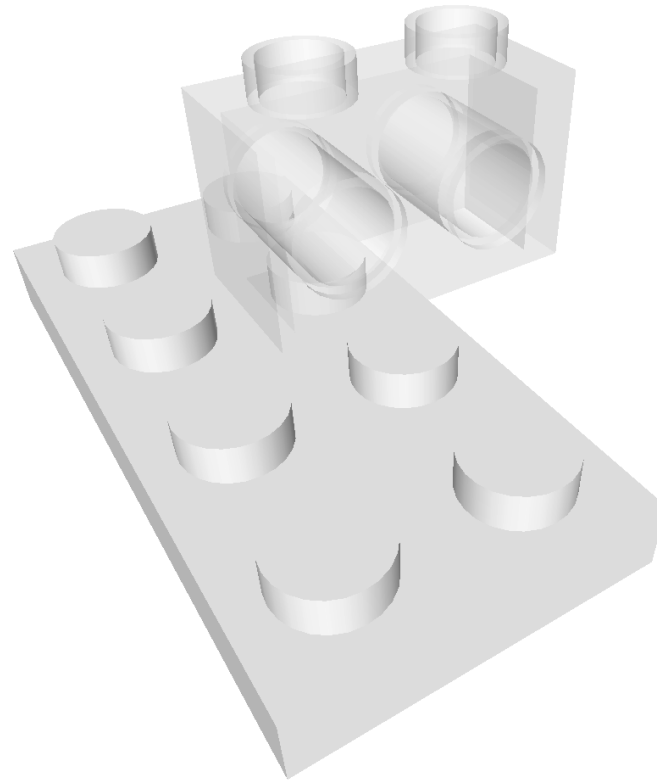
(A) 01 First Floor



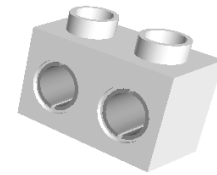
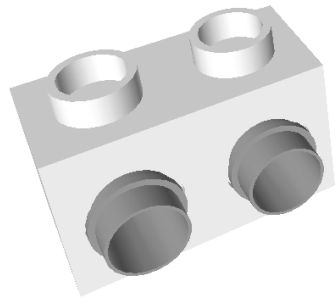
(A) RF Roof



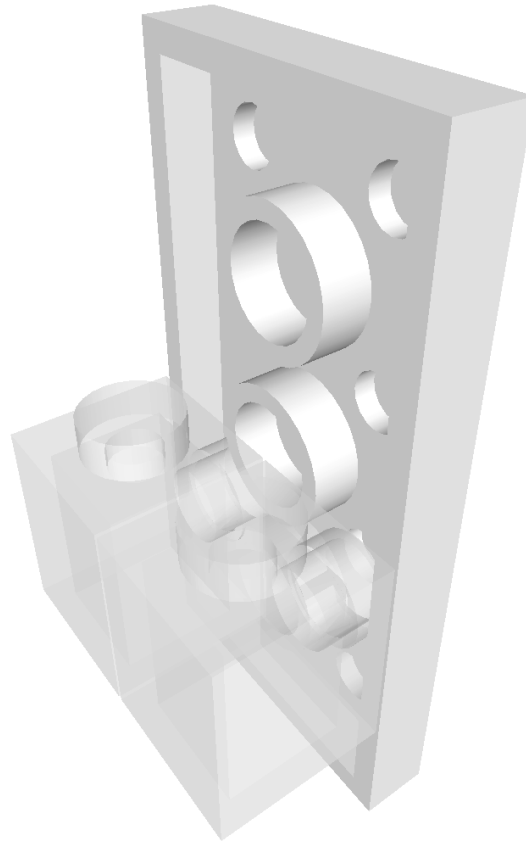
(A) RF Roof



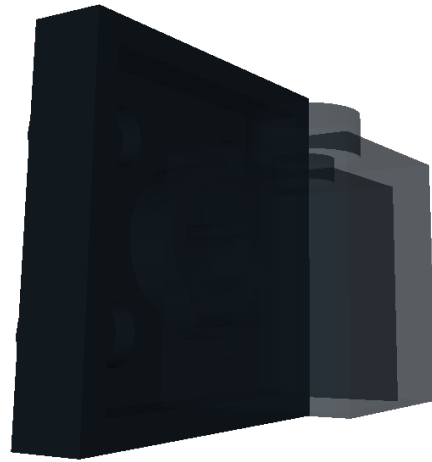
(A) RF Roof



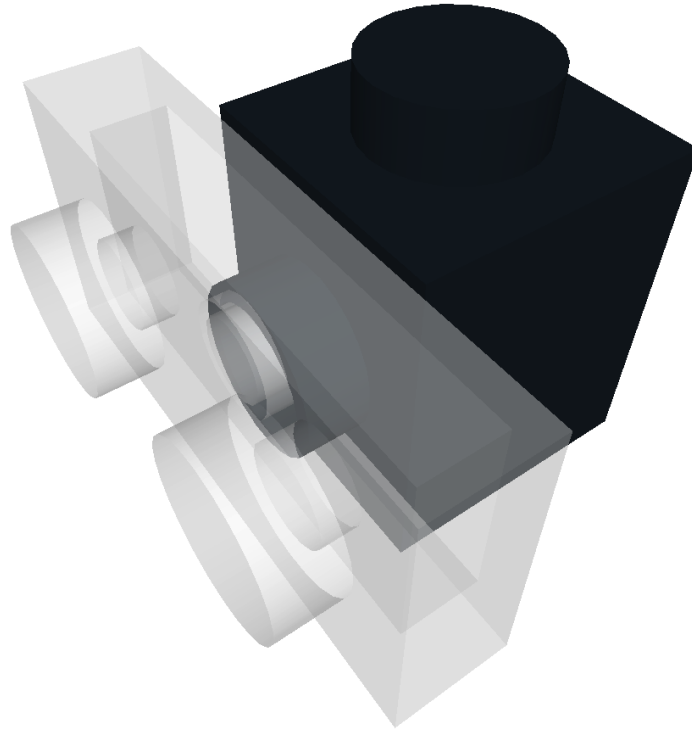
(A) RF Roof



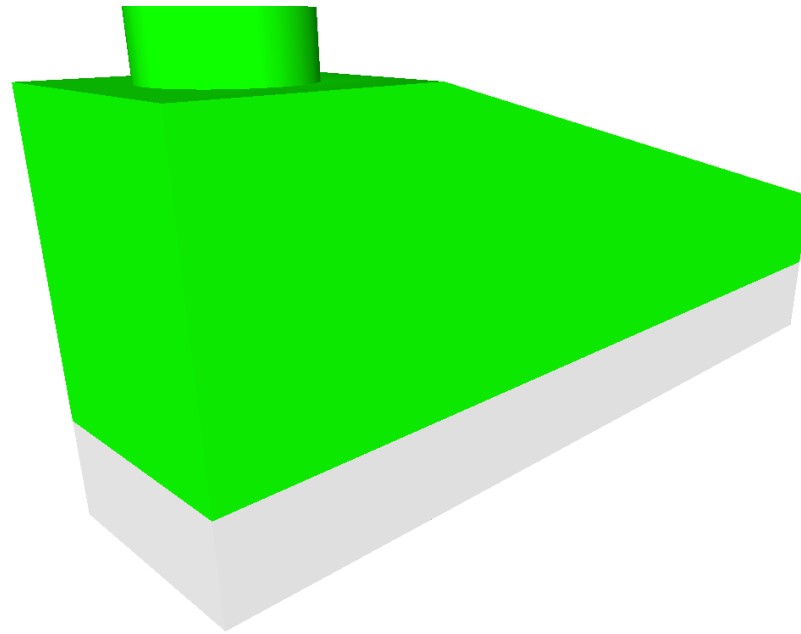
(A) RF Roof



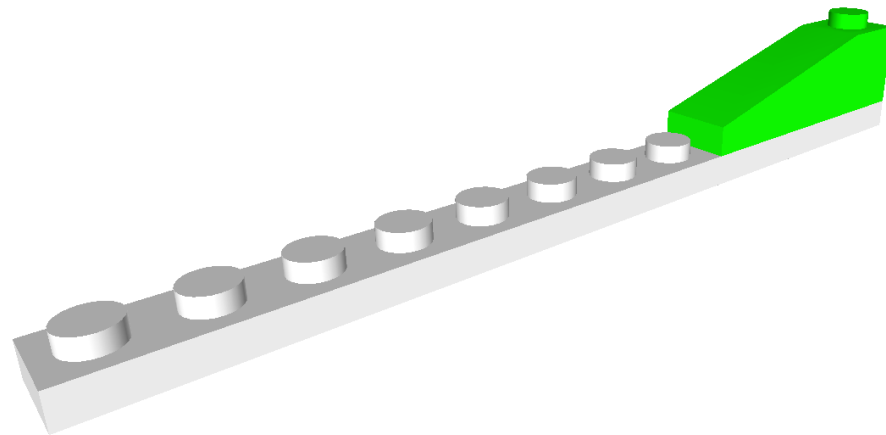
(A) GF Ground Floor



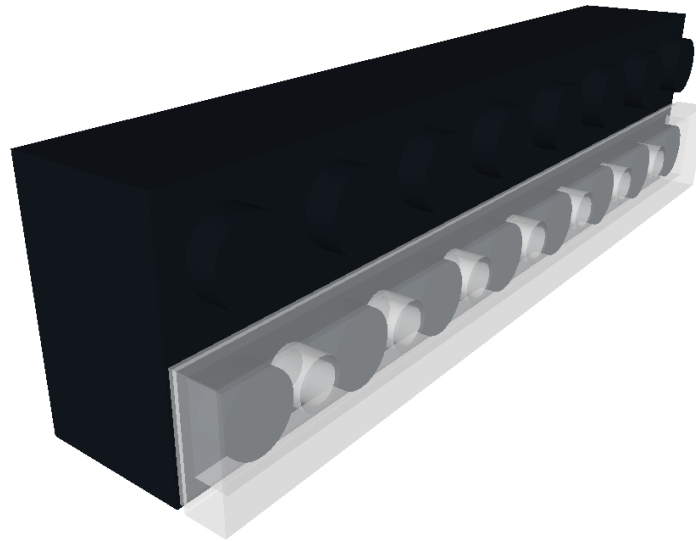
(A) GF Ground Floor



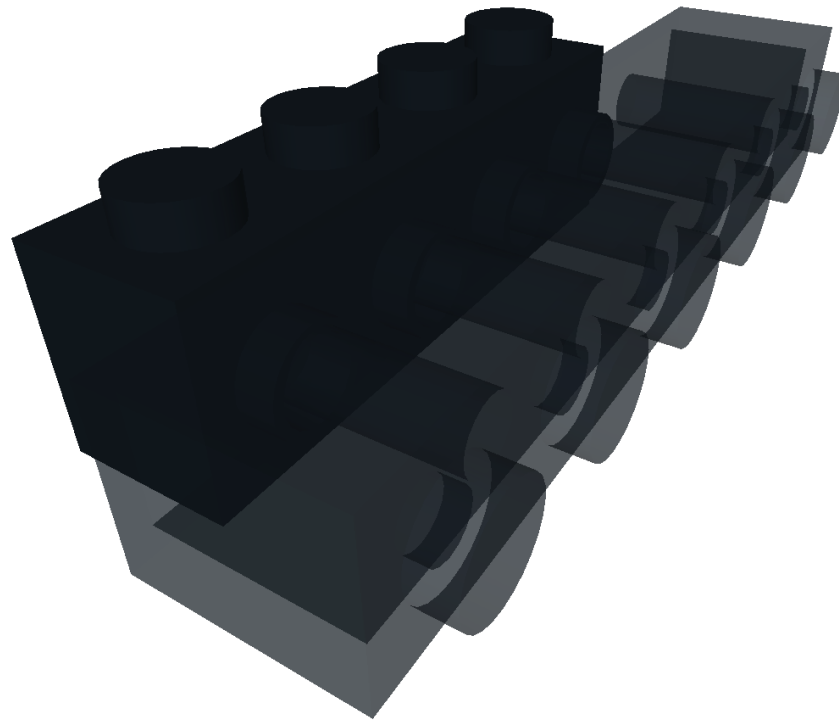
(A) 01 First Floor



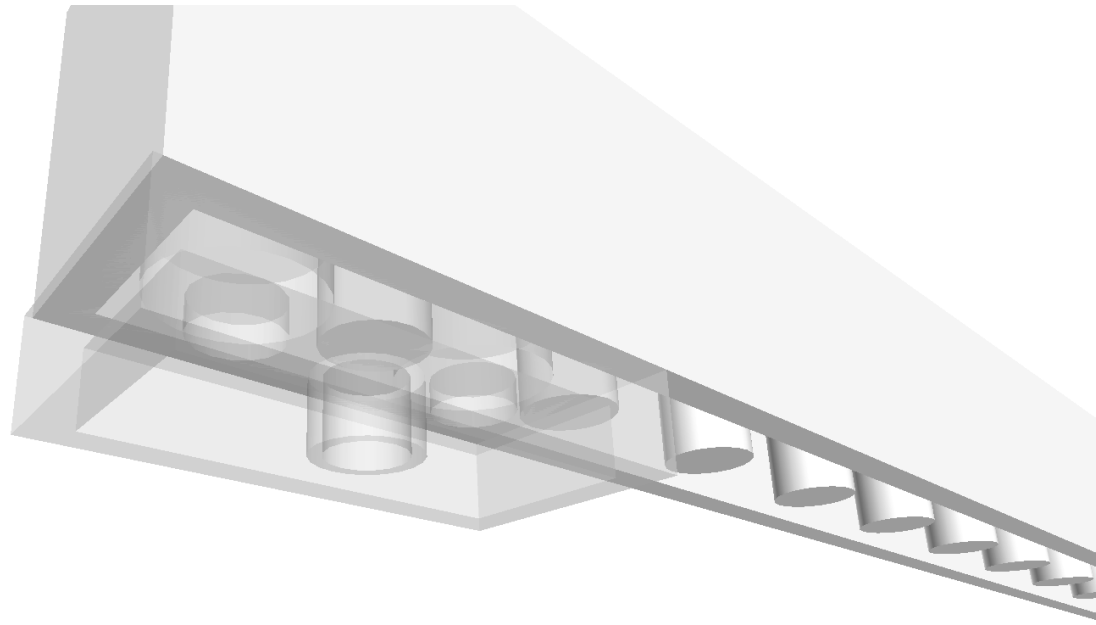
(A) 01 First Floor



(A) GF Ground Floor



(A) GF Ground Floor



(A) 01 First Floor